

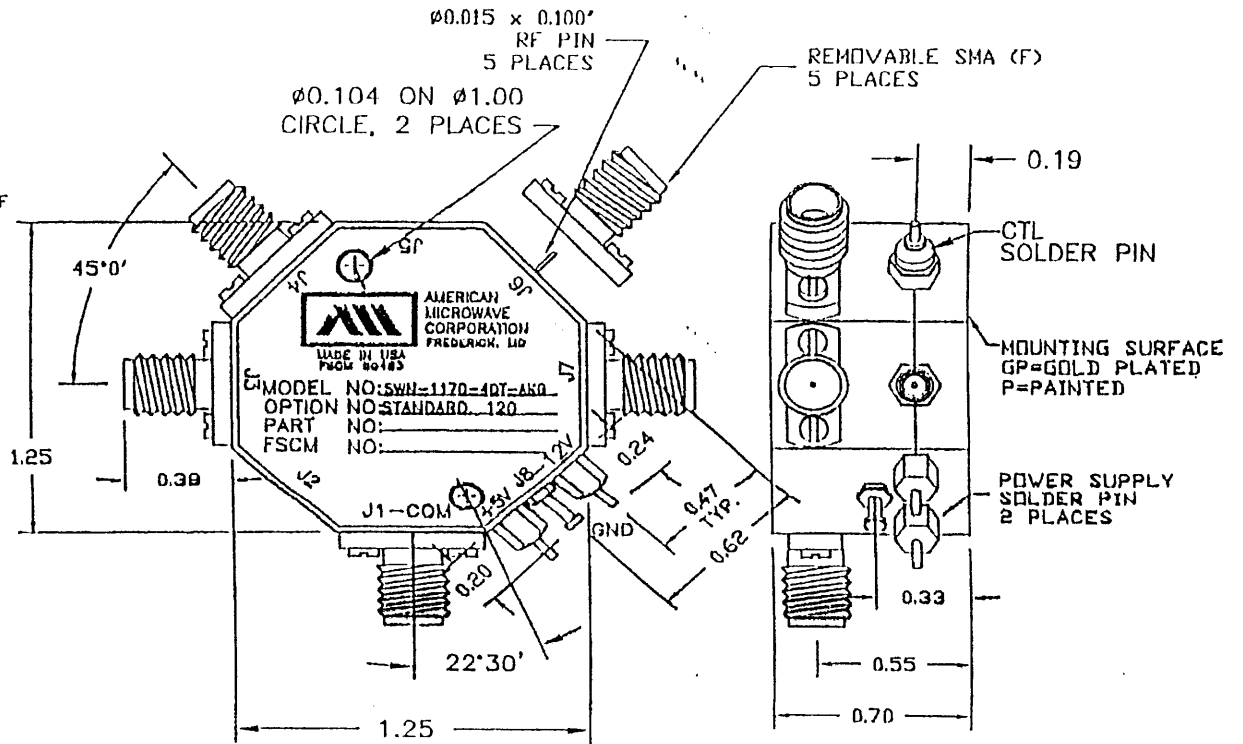
DESCRIPTION

AMC MODEL SW1170-4DT-AKG-STANDARD OPTION 120 IS A SINGLE POLE FOUR THROW, NON-REFLECTIVE/ABSORPTIVE SWITCH MODULE WITH VERY HIGH ISOLATION, LOW LOSS, HIGH SPEED AND WITH INTEGRAL TTL DRIVER, DESIGNED FOR BROAD BAND OPERATIONS.

SPECIFICATIONS:

- FREQUENCY: 0.1 GHz TO 20 GHz
- INSERTION LOSS: 5.0dB MAXIMUM
- ISOLATION: -110 MINIMUM
- VSWR (ON AND OFF): 2.0:1 MAXIMUM
- SWITCHING SPEED: 300 nsec (10%-90% RF)
- CONTROL LOGIC: TTL COMPATIBLE LOGIC "0"=ON "1"=OFF
- RF CONNECTORS SMA FEMALE
- OPERATING TEMPERATURE 0 TO 55°C
- POWER SUPPLY: +5V @ 100 mA MAXIMUM
 -12V @ 100 mA MAXIMUM
- RF POWER (SURVIVAL): +30 dBm (1 WATT)
- RF POWER (OPERATING): +20 dBm MAXIMUM
- RF PHASE TRACKING 2 DEGREES PER DEGREE C
 (ALL PORTS WITH RESPECT TO COMMON WITH TEMPERATURE)
- SIZE: 1.25" (L) x 1.25" (W) x 0.70" (H)
- WEIGHT: 1.5 oz.

REVISIONS				
ZONE	REV.	DESCRIPTION	DATE	APPROVED
	-	ORIGINAL RELEASE	10/99	



NOTE:

DR=WITH DRIVER, REFLECTIVE
 DT=WITH DRIVER, NON-REFLECTIVE/ABSORPTIVE

ENVIRONMENTAL RATINGS:

- TEMPERATURE: 0°C TO +55°C (OPERATING)
 -65°C TO +125°C (STORAGE)
- HUMIDITY: MIL-STD-202F, METHOD 103B COND. B
- SHOCK: MIL-STD-202F, METHOD 213B COND. B
- VIBRATION: MIL-STD-202F, METHOD 204D COND. B
- ALTITUDE: MIL-STD-202F, METHOD 105C COND. B
- TEMPERATURE CYCLE: MIL-STD-202F, METHOD 107D COND. A

ALL DIMENSIONS ARE IN INCHES

TOLERANCES:
 X.XX ±0.020
 X.XXX ±0.010

NOTE: THE ABOVE SPECIFICATIONS ARE SUBJECT TO CHANGE OR REVISION

CONTRACT NO.		AMERICAN MICROWAVE CORPORATION FREDERICK, MARYLAND		
APPROVALS	DATE	TITLE		
DRAWN <i>WFP, RRD</i>	1/28/99	SWN-1170-4DT-AKG-STANDARD 120 TERMINATED, RADIAL SOLID STATE SWITCH		
CHECKED <i>WP</i>	7/27/99	SITE	FSCM NO.	DWG NO.
ISSUED <i>PA</i>	7/27/99	A	60483	100-4789-3
SCALE N/S		SHEET		1 of 1